

LED FLEXLINES



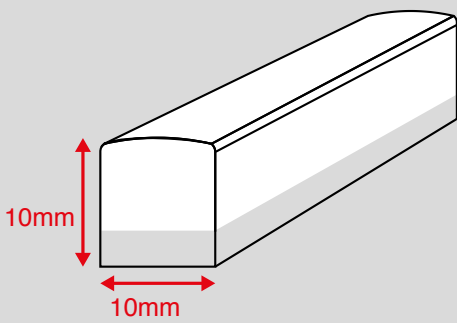
LED SOLUTIONS

TOTALLUX

TLX30

3-Sides Emitting





Art:		IP	Voltage	LEDs/m	W/m	CT	Type
50.02.1100	Flexline TLX30	IP68	24V	140	10	2700K	3-sides Emitting
50.02.1101	Flexline TLX30	IP68	24V	140	10	3000K	3-sides Emitting
50.02.1102	Flexline TLX30	IP68	24V	140	10	4000K	3-sides Emitting
50.02.1103	Flexline TLX30	IP68	24V	140	10	6500K	3-sides Emitting
50.02.1110	Flexline TLX30	IP68	24V	72	10	RGB	3-sides Emitting
50.02.1120	Flexline TLX30	IP68	24V	224	2x8	CTA (2700-6500K)	3-sides Emitting

On request: customized length.

Features

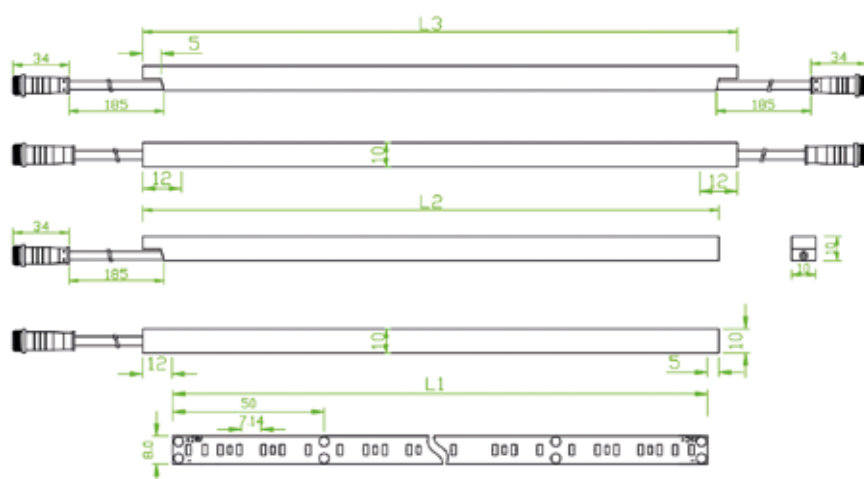
- LED light strip with PU glue protection, with excellent weather resistance and UV resistance properties. It can ensure no yellowing in outdoor sunlight within 3 years.
- High temperature resistance, Waterproof IP68. impact resistance, good heat dissipation, so as to enhance the LED linear quality and service life.
- High transmittance, smooth surface, nice touch and vision effect.
- Perfect softness, gentle emitting, not dazzling.

Glue Comparison

	Epoxy Glue	Silicone	PU Glue
Product properties	Condensates for a long time, Will harden	Condensates permanent Will not harden	Condensates permanent Will not harden
Weather resistance	Yellowing within 1 month in the open air The chalking phenomenon appears in 1-2 years	no yellowing within 5 years in the open air	no yellowing within 5 years in the open air
Cold and hot resistance	0 - 60°C, harding in low temperature, easy to break.	Performance stable in -40 ~ 220°C	Performance stable in -40 ~ 80°C
Waterproofness	IP65	IP65	IP68
Thermal conductivity	Low	High	High
Hygroscopicity	≤ 5%	≤ 5%	≤ 2%
Elongation at break	1,3 times	1,5 times	2,3 times
Light transmission rate	82.1%	94.6%	97.7%
Index of refraction	1.38	1.42	1.40

Measurements

TLX30 Single Color



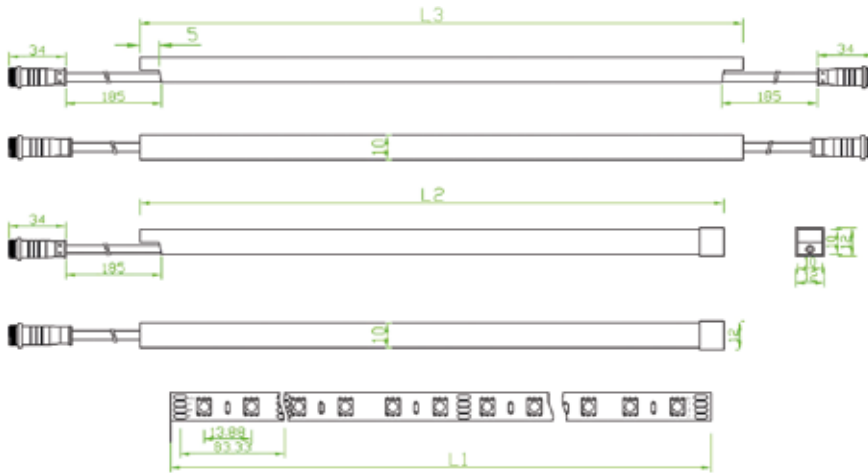
Part No.	L1 (PCB Length ± 3mm)	L1 (Linear Length ± 5mm)	L1 (Linear Length ± 5mm)
G3-M1	1004	1021	1028
G3-M2	2004	2021	2028
G3-M3	3004	3021	3028
G3-M4	4004	4021	4028
G3-M5	5004	5021	5028

$$L1 = 50 * N + 4$$

$$L2 = L1 + 17$$

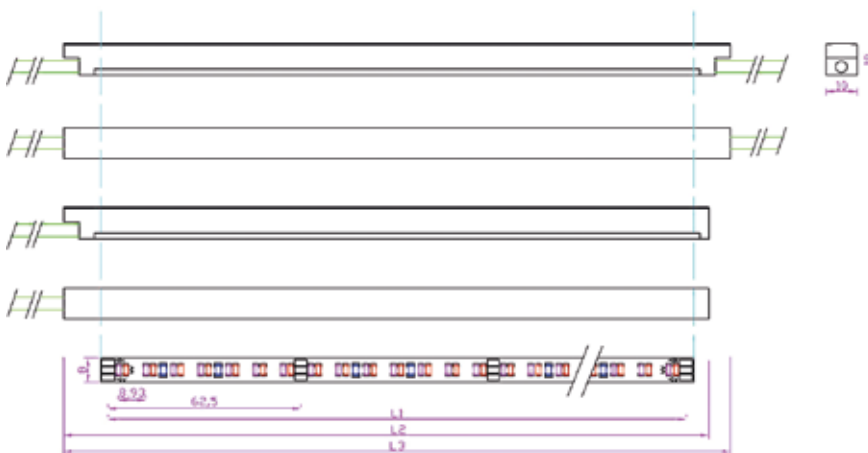
$$L3 = L1 + 24$$

TLX30 RGB



Part No.	L1 (PCB Length ± 3mm)	L1 (Linear Length ± 5mm)	L1 (Linear Length ± 5mm)
G3-M1	1004	1025	1040
G3-M2	2004	2025	2040
G3-M3	3004	3025	3040
G3-M4	4004	4025	4040
G3-M5	5004	5025	5040

TLX30 Dynamic White (CTA)



Part No.	L1 (PCB Length ± 3mm)	L1 (Linear Length ± 5mm)	L1 (Linear Length ± 5mm)
G3-M1	1004	1025	1035
G3-M2	2004	2030	2040
G3-M3	3004	3035	3045
G3-M4	4004	4040	4050
G3-M5	5004	5045	5055

Specifications

Product Model	TLX30 Single Color	TLX30 Dynamic White	TLX30 RGB
LED type	SMD3014	SMD3014	SMD5050
LED color	WW, NW, CW, R, G, B, (Y)	WW + NW	Red + Green + Blue
LED qty	140 LEDs/m	244LEDs/m	72LEDs/m
PCB Color	White	White	White
Input Voltage	DC24V	DC24V	DC24V
Gross Weight	750g/roll	750g/roll	750g/roll

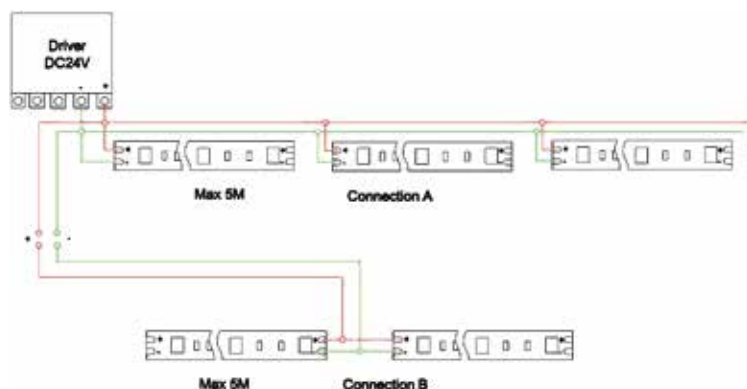
Characteristic Parameters

Product Model	TLX30 Single Color	TLX30 Dynamic White	TLX30 RGB
Product Length	1-5meters/roll	1-5meters/roll	1-5meters/roll
Drive model	Constant Voltage	Constant Voltage	Constant Voltage
Max Current	0.416A	WW: 0-0.33A CW: 0-0.33A	0.416A

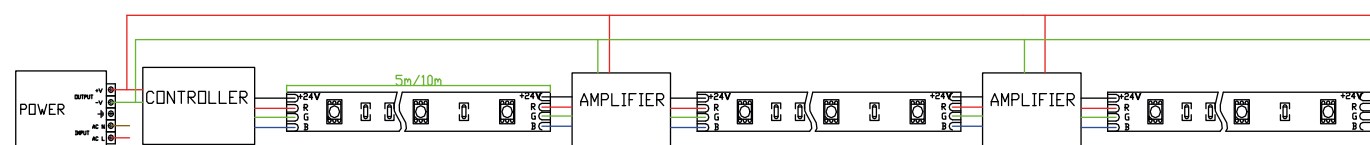
Product Model	TLX30 Single Color	TLX30 Dynamic White	TLX30 RGB
Max Lumen	2700K-690lm/m 3000K-690lm/m 4000K-700lm/m 6000K-720lm/m	WW: 500lm/m CW:520lm/m	-
Beam angle	180°	180°	180°
LED spacing	7,14mm	8,93mm	13,88mm
Linear width	10mm	10mm	10mm
Linear height	10mm	10mm	10mm
PCB width	8mm	8mm	8mm
Average life	Over 30.000 hours	Over 30.000 hours	Over 30.000 hours
Color temperature	WW: 2600K-3200K NW: 3800K-4500K CW: 5500K-7000K R: 620-625nm G: 520-525nm B: 460-465nm Y: 590-595nm	2700-6500K	R: 620-625nm G: 520-525nm B: 460-465nm Y: 590-595nm
CRI	80+ RA	80+ RA	-
Color Maintenance	Minimum lumen maintenance test period (600 hours) the chromaticity change on the chromaticity diagram CIE1976 (u', v') is within 0,007	Minimum lumen maintenance test period (600 hours) the chromaticity change on the chromaticity diagram CIE1976 (u', v') is within 0,007	Minimum lumen maintenance test period (600 hours) the chromaticity change on the chromaticity diagram CIE1976 (u', v') is within 0,007
Structure	LED strip + PU glue protection	LED strip + PU glue protection	LED strip + PU glue protection
Ambient temperature	-30 ~ +50°C	-30 ~ +50°C	-30 ~ +50°C
IP Rated	IP68	IP68	IP68

Connection Method

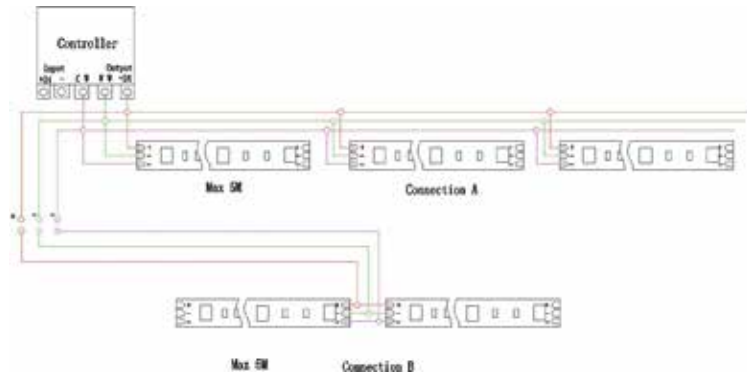
TLX30 Single Color



TLX30 RGB

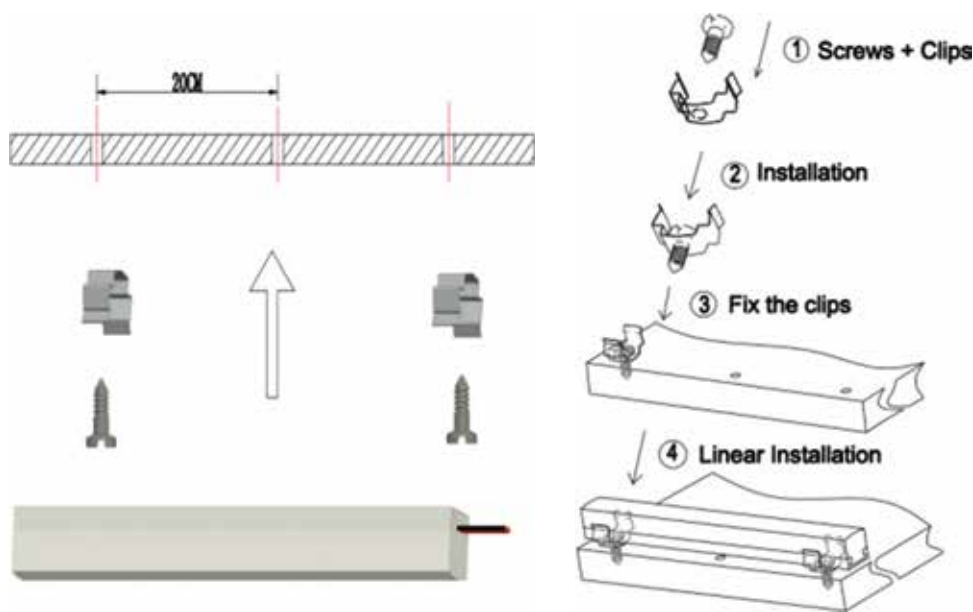


TLX30 Dynamic White (CTA)



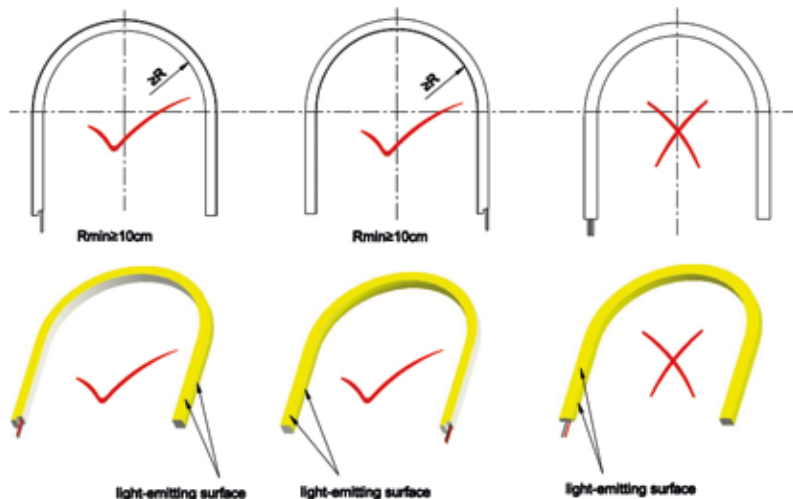
The dynamic white LED flex linear must be connected to the controller, and **DO NOT** directly connect to the power supply. It is apply to the WIFI, 2.4G, DMX512, PWM, DALI and other dynamic controllers. According to the function of the controller, it can be independent dimming and CCT adjustable from 2700k to 6500K, realizing gradual changing and swift changing.

Clip installation



Precautions

When installing the product can not be bent less than 120 degrees. Bending diameter must not be less than 10cm.



TOTALLUX B.V. was established in 2003 and is specialized in lighting solutions and LED lighting. TOTALLUX offers the "total" solution for your lighting "lux" ideas - ranging from standards parts to specials for the industry. The TOTALLUX lighting supplies program includes standard lighting components - from the plug up to the light source - LED lights, complete projects, and special prelude fixtures. TOTALLUX is capable of converting your drawing or model to the components and fixtures needed for your desired endproduct. This allows you to create your own exclusive look.

TOTALLUX

Antennestraat 76 • 1322 AS Almere • The Netherlands

TEL +31 (0)36 529 1756 • FAX +31 (0)36 529 1757

info@totallux.nl • www.totallux.nl